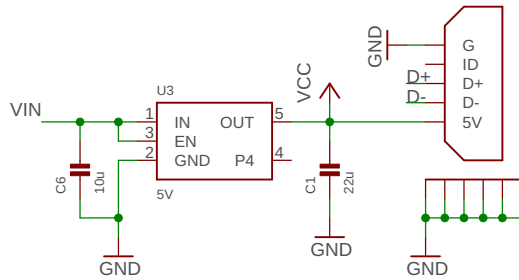
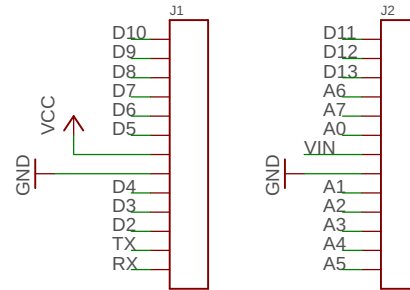


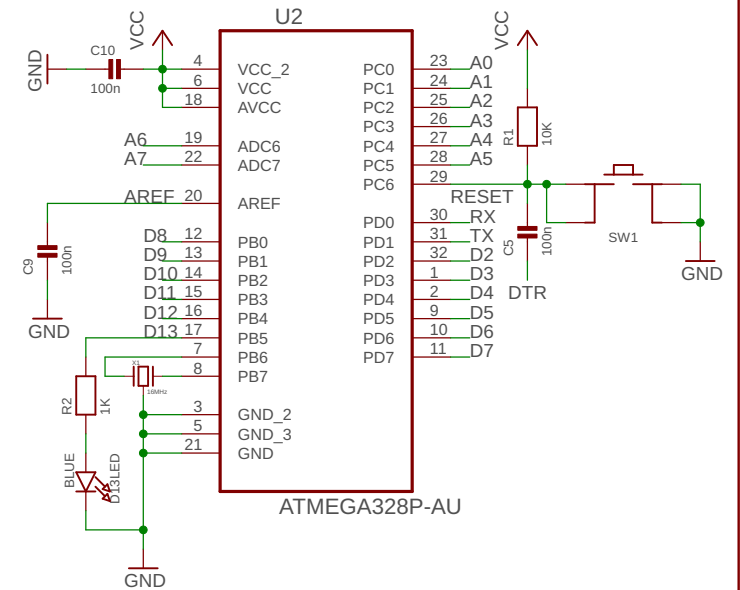
POWER SUPPLIES



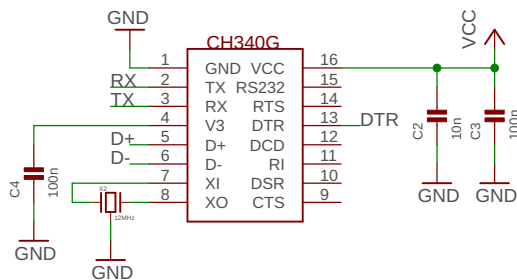
ARDUINO PINS



PROCESSOR



USB INTERFACE



4tronix

TITLE: 4duino_Mini_10

Document Number:

REV:

Date: 21/01/2019 09:23

Sheet: 1/1