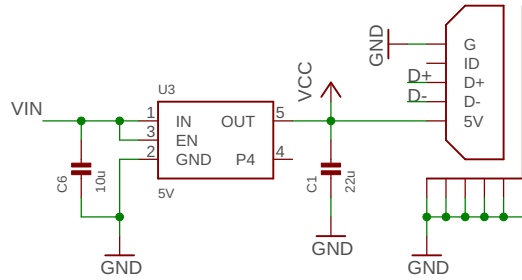
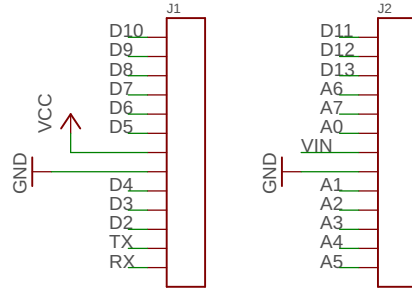


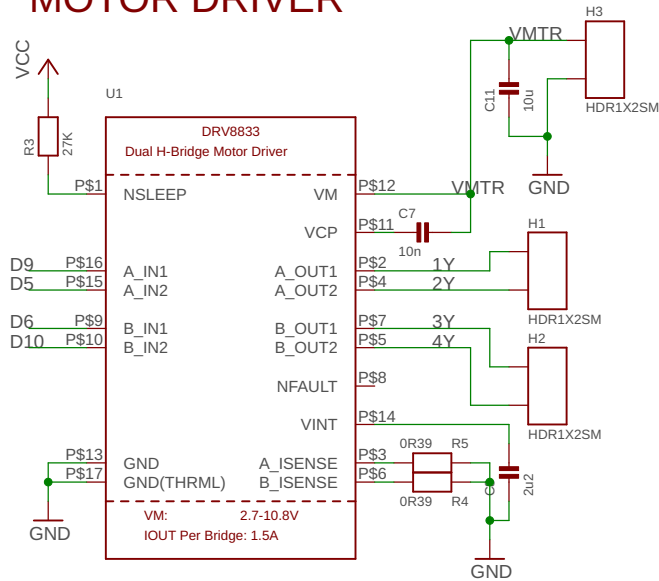
POWER SUPPLIES



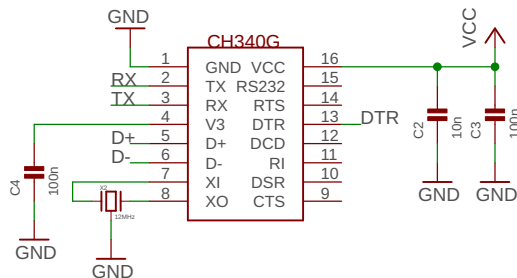
ARDUINO PINS



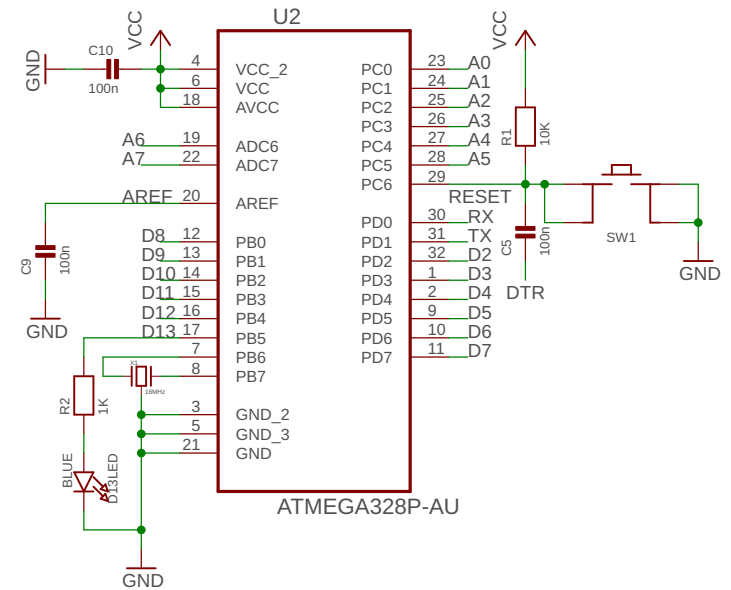
MOTOR DRIVER



USB INTERFACE



PROCESSOR



4tronix

TITLE: 4duino_MiniPro_10

Document Number:

REV:

Date: 21/01/2019 09:33

Sheet: 1/1