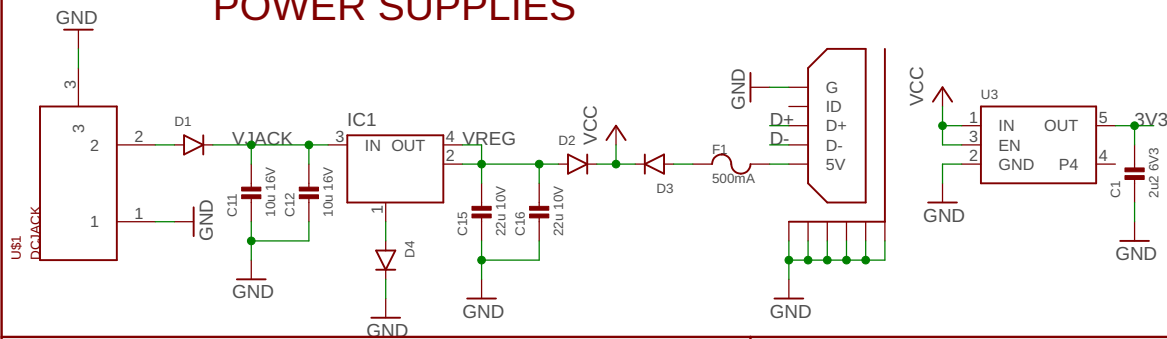
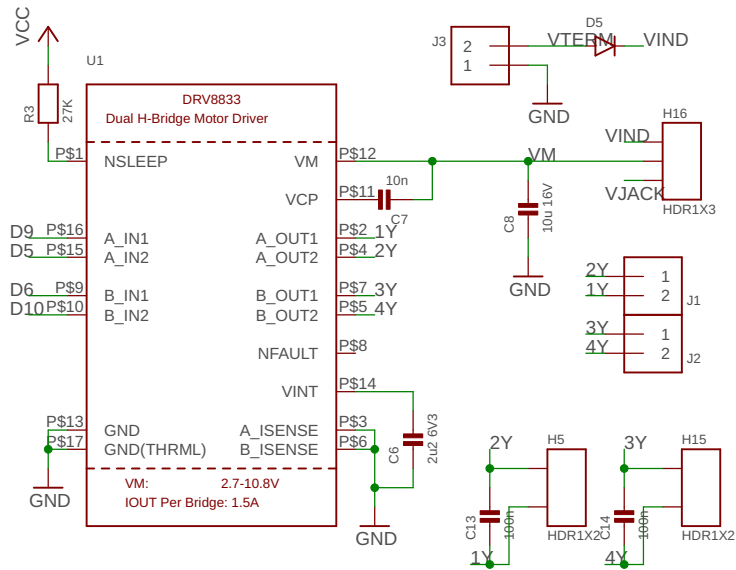


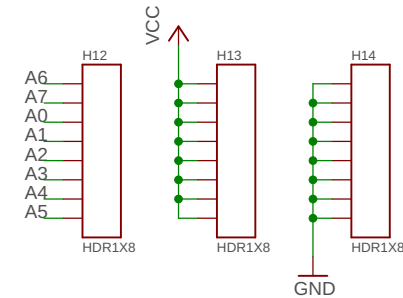
POWER SUPPLIES



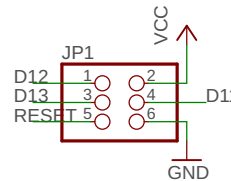
MOTOR DRIVER



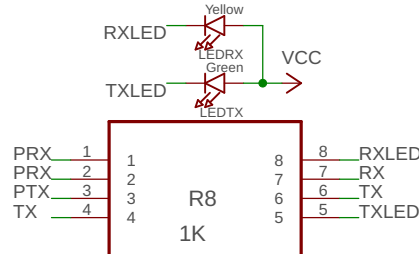
ANALOG GVS



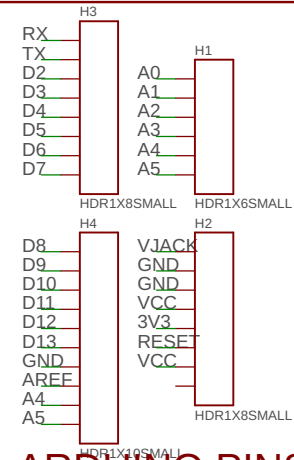
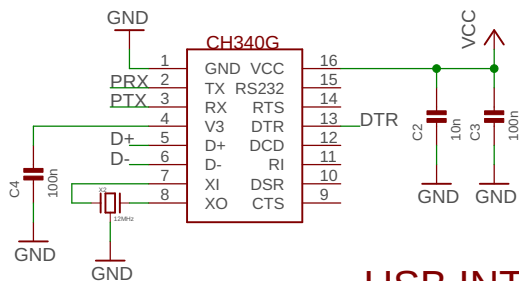
ICSP



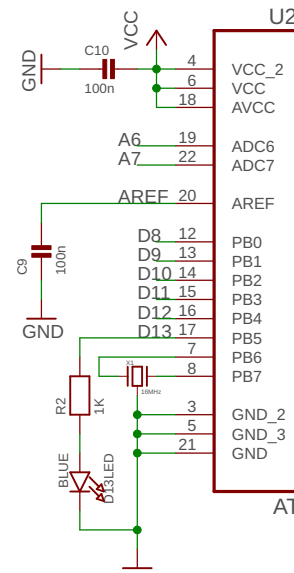
LEDS



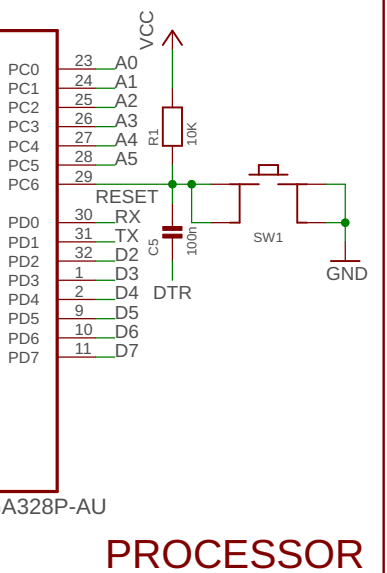
USB INTERFACE



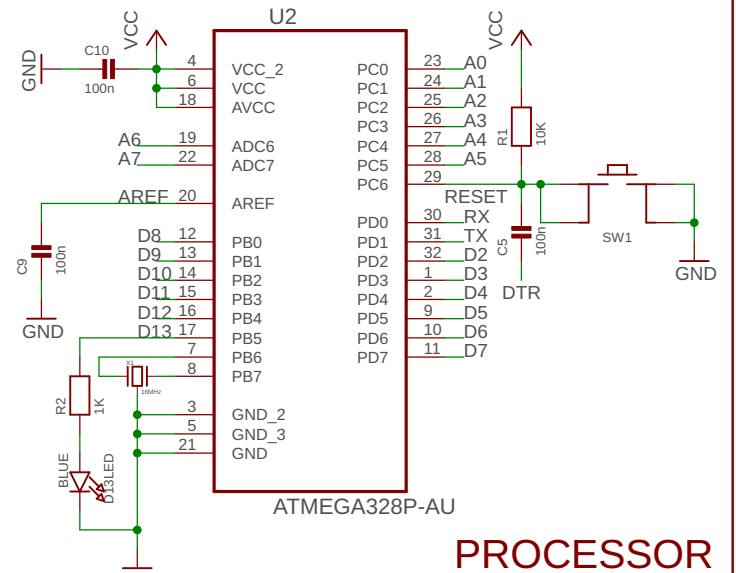
ARDUINO PINS



DIGITAL GVS



ATMEGA328P-AU



PROCESSOR

4tronix

TITLE: 4duino_10

Document Number:

REV:

Date: 21/01/2019 09:09

Sheet: 1/1